



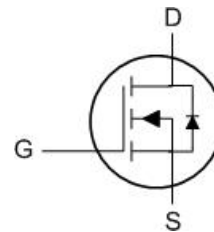
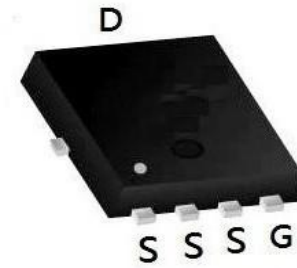
Features

- Split Gate Trench MOSFET technology
- Excellent package for heat dissipation
- High density cell design for low $R_{DS(ON)}$

Product Summary

BVDSS	RDSON	ID
30V	3.8mΩ	65A

PRPAK5X6 Pin Configuration



Applications

- DC-DC Converters
- Power management functions
- Synchronous-rectification applications

Absolute Maximum Ratings

Parameter		Symbol	Value	Unit
Drain-Source Voltage		V_{DS}	30	V
Gate-Source Voltage		V_{GS}	±20	V
Continuous Drain Current	$T_C=25^{\circ}\text{C}$	I_D	65	A
	$T_C=100^{\circ}\text{C}$		41	
Pulsed Drain Current ¹		I_{DM}	260	A
Single Pulse Avalanche Energy ²		E_{AS}	20	mJ
Total Power Dissipation	$T_C=25^{\circ}\text{C}$	P_D	31.25	W
Operating Junction and Storage Temperature Range		T_J, T_{STG}	-55 to 150	°C

Thermal Characteristics

Parameter	Symbol	Value	Unit
Thermal Resistance from Junction-to-Ambient ³	$R_{\theta JA}$	60	°C/W
Thermal Resistance from Junction-to-Case	$R_{\theta JC}$	4	°C/W

Electrical Characteristics (T_J = 25°C, unless otherwise noted)

Parameter		Symbol	Test Conditions	Min.	Typ.	Max.	Unit
Static Characteristics							
Drain-Source Breakdown Voltage		V _{(BR)DSS}	V _{GS} = 0V, I _D = 250μA	30	-	-	V
Gate-body Leakage Current		I _{GSS}	V _{DS} = 0V, V _{GS} = ±20V	-	-	±100	nA
Zero Gate Voltage Drain Current	T _J =25°C	I _{DSS}	V _{DS} = 30V, V _{GS} = 0V	-	-	1	μA
	T _J =100°C			-	-	100	
Gate-Threshold Voltage		V _{GS(th)}	V _{DS} = V _{GS} , I _D = 250μA	1.2	1.6	2.4	V
Drain-Source On-Resistance ⁴		R _{DS(on)}	V _{GS} = 10V, I _D = 20A	-	3.8	5	mΩ
			V _{GS} = 4.5V, I _D = 10A	-	6	8	
Forward Transconductance ⁴		g _{fs}	V _{DS} = 10V, I _D = 20A	-	130	-	S
Dynamic Characteristics⁵							
Input Capacitance		C _{iss}	V _{DS} = 15V, V _{GS} = 0V, f = 1MHz	-	905	-	pF
Output Capacitance		C _{oss}		-	475	-	
Reverse Transfer Capacitance		C _{rss}		-	57	-	
Gate Resistance		R _g	f = 1MHz	-	1.9	-	Ω
Switching Characteristics⁵							
Total Gate Charge		Q _g	V _{GS} = 10V, V _{DS} = 15V, I _D = 20A	-	16	-	nC
Gate-Source Charge		Q _{gs}		-	3	-	
Gate-Drain Charge		Q _{gd}		-	3.3	-	
Turn-On Delay Time		t _{d(on)}	V _{GS} = 10V, V _{DD} = 15V, R _G = 3Ω, I _D = 20A	-	6.3	-	ns
Rise Time		t _r		-	3.2	-	
Turn-Off Delay Time		t _{d(off)}		-	18	-	
Fall Time		t _f		-	3.6	-	
Body Diode Reverse Recovery Time		t _{rr}	I _F = 20A, dI/dt = 100A/μs	-	10	-	ns
Body Diode Reverse Recovery Charge		Q _{rr}		-	13.2	-	nC
Drain-Source Body Diode Characteristics							
Diode Forward Voltage ⁴		V _{SD}	I _S = 20A, V _{GS} = 0V	-	-	1.2	V
Continuous Source Current		I _S	T _C = 25°C	-	-	65	A

Notes:

1. Repetitive rating, pulse width limited by junction temperature T_{J(MAX)} = 150°C.
2. The EAS data shows Max. rating . The test condition is V_{DD} = 25V, V_{GS} = 10V, L = 0.1mH, I_{AS} = 20A.
3. The data tested by surface mounted on a 1 inch2 FR-4 board with 2OZ copper, The value in any given application depends on the user's specific board design.
4. The data tested by pulsed , pulse width ≤ 300us , duty cycle ≤ 2%.
5. This value is guaranteed by design hence it is not included in the production test.

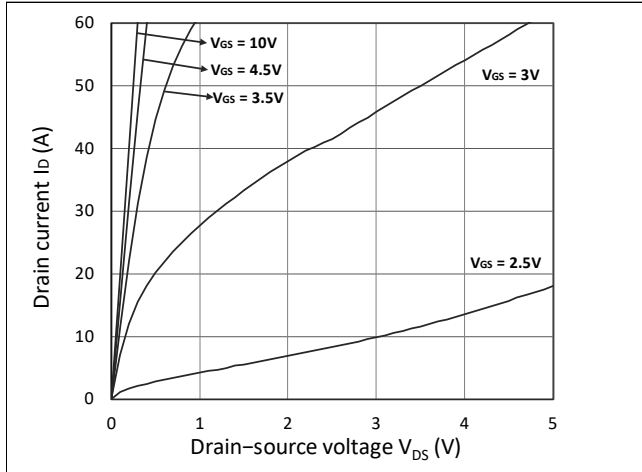
Typical Characteristics


Figure 1. Output Characteristics

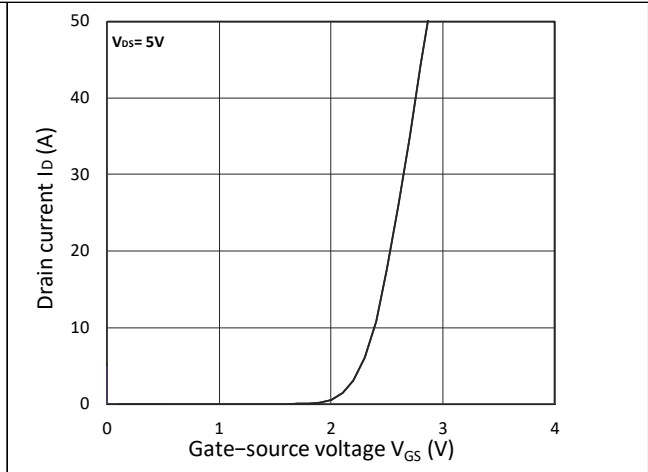


Figure 2. Transfer Characteristics

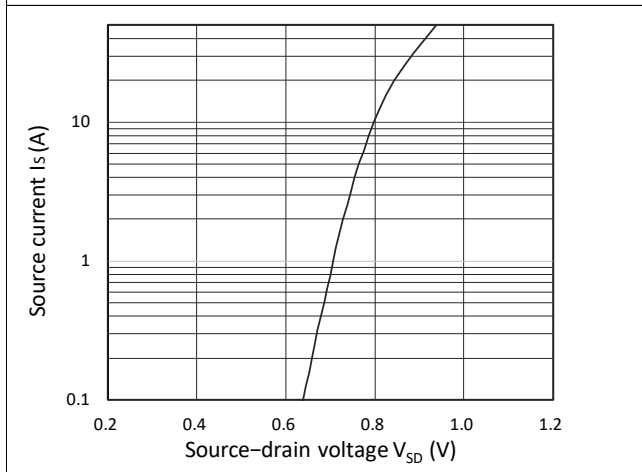
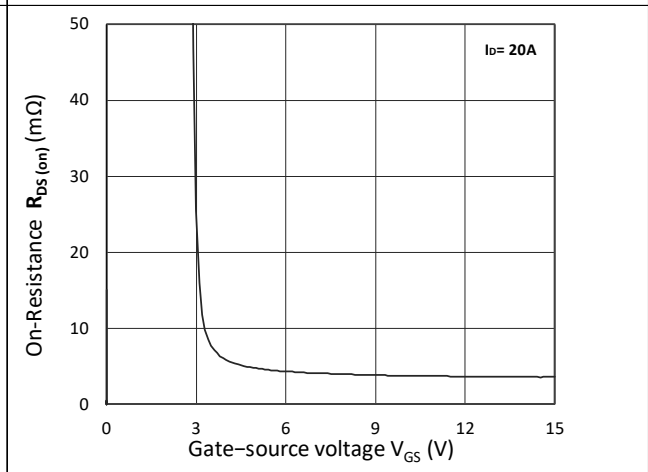
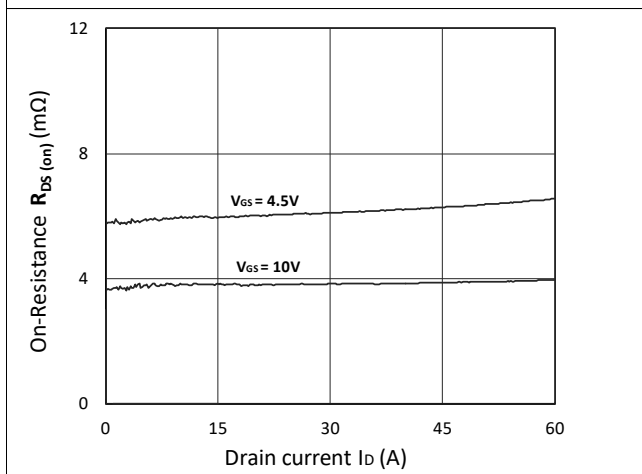
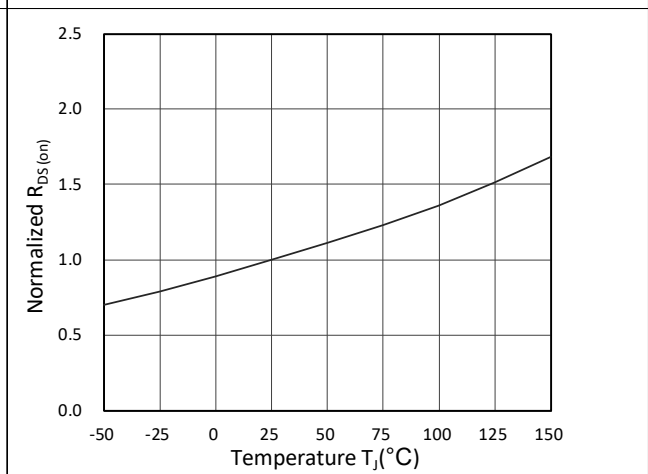


Figure 3. Forward Characteristics of Reverse


 Figure 4. $R_{DS(ON)}$ vs. V_{GS}

 Figure 5. $R_{DS(ON)}$ vs. I_D

 Figure 6. Normalized $R_{DS(ON)}$ vs. Temperature

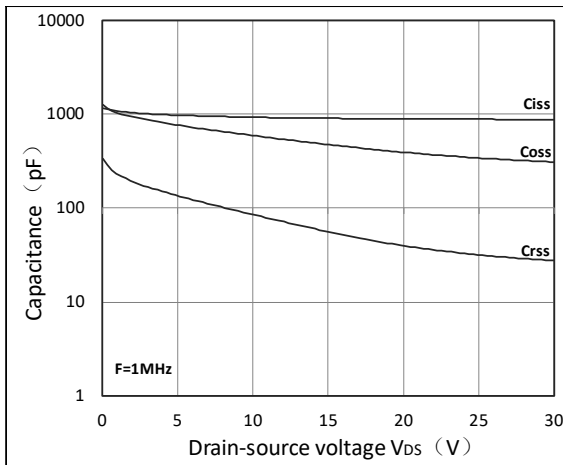


Figure 7. Capacitance Characteristics

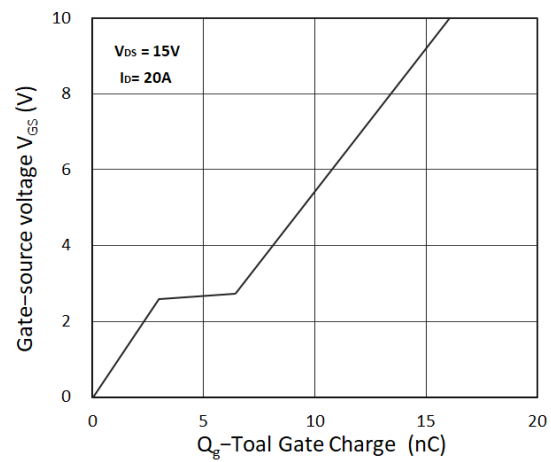


Figure 8. Gate Charge Characteristics

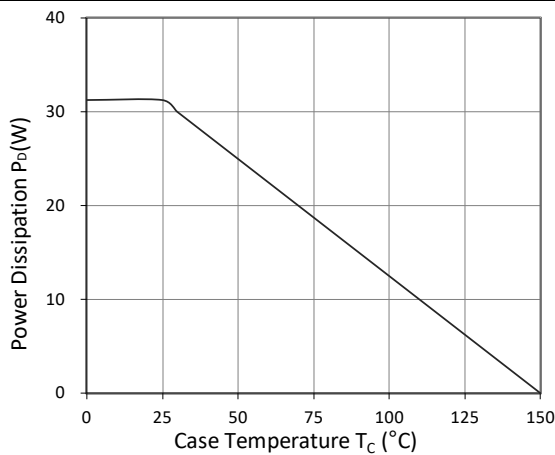


Figure 9. Power Dissipation

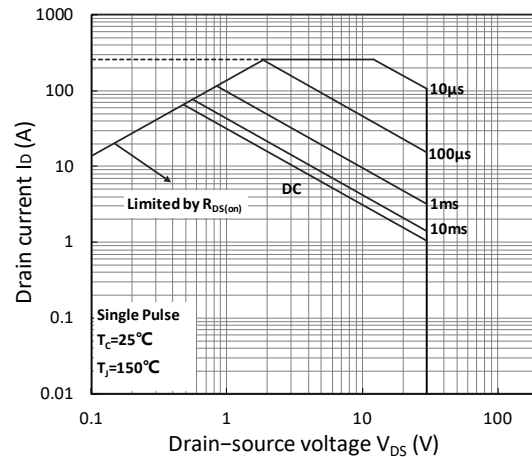


Figure 10. Safe Operating Area

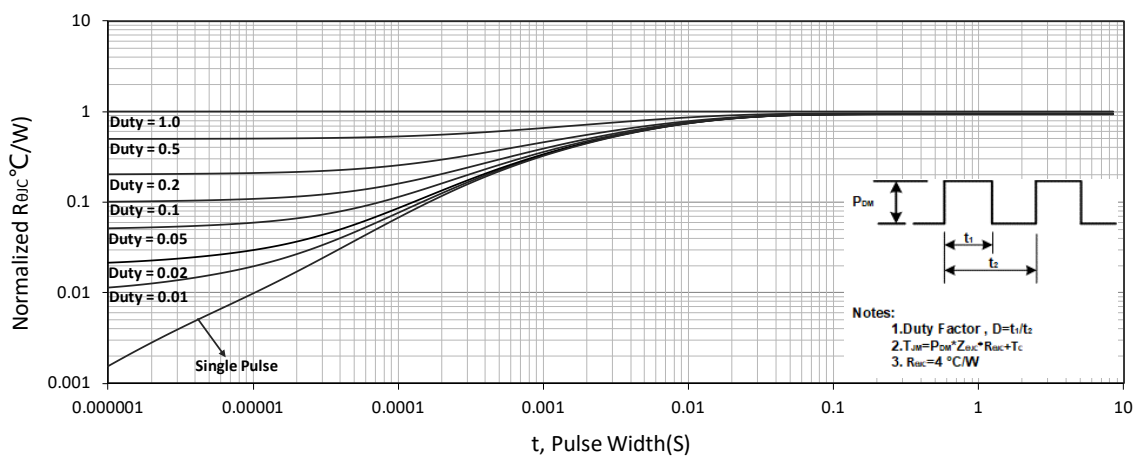


Figure 11. Normalized Maximum Transient Thermal Impedance

Test Circuit

DFN5X6-8L Package Information

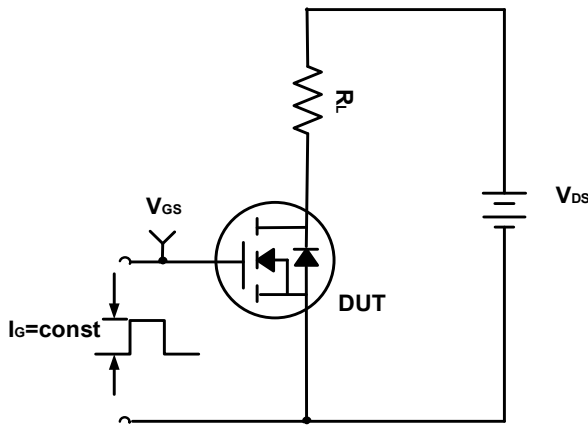


Figure A. Gate Charge Test Circuit & Waveforms

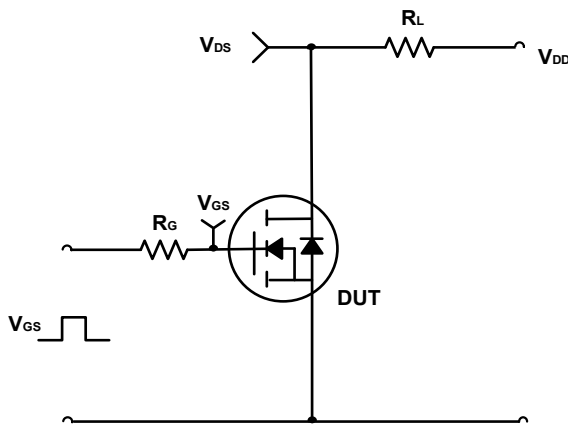


Figure B. Switching Test Circuit & Waveforms

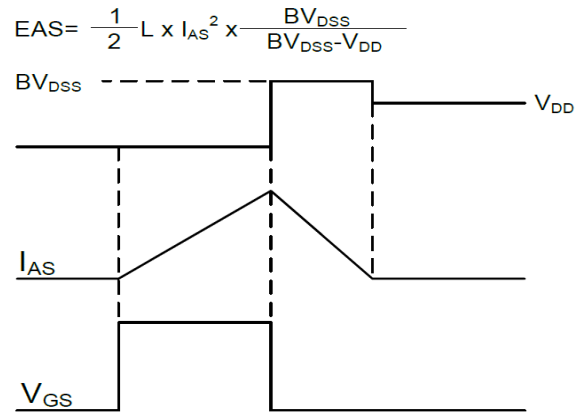
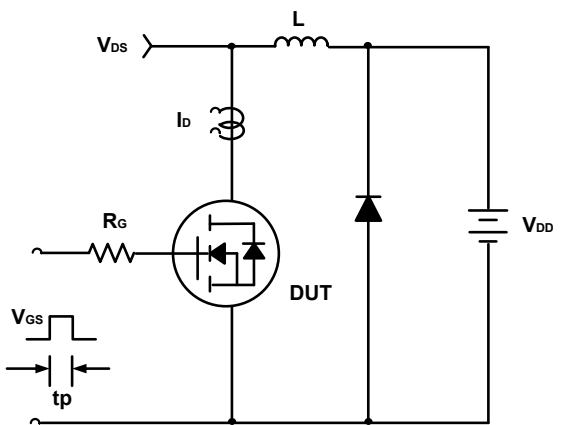
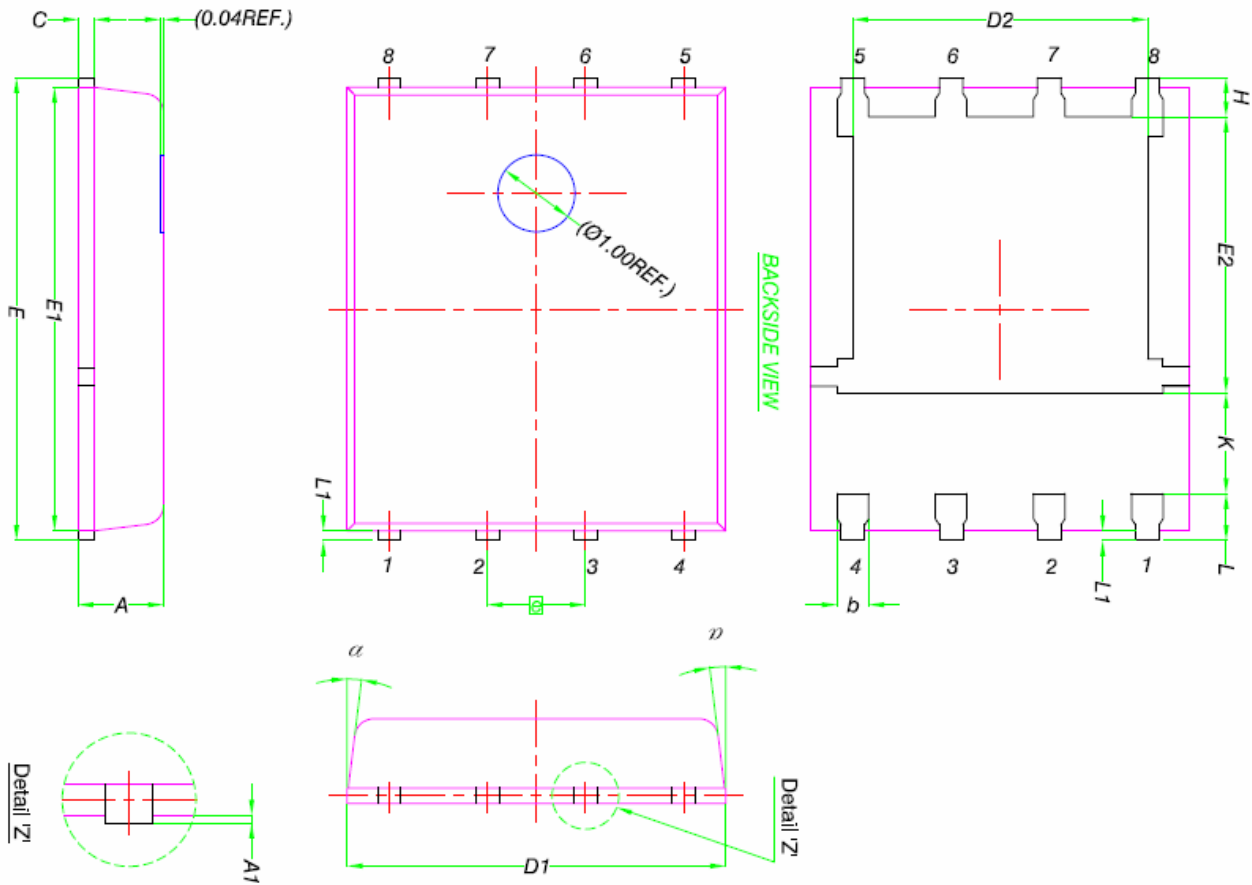


Figure C. Unclamped Inductive Switching Circuit & Waveforms

DFN5X6-8L Package Information



DIM.	MILLIMETERS		
	MIN.	NOM.	MAX.
A	0.90	1.00	1.10
A1	0	-	0.05
b	0.33	0.41	0.51
C	0.20	0.25	0.30
D1	4.80	4.90	5.00
D2	3.61	3.81	3.96
E	5.90	6.00	6.10
E1	5.70	5.75	5.80
E2	3.38	3.58	3.78
e	1.27 BSC		
H	0.41	0.51	0.61
K	1.10	-	-
L	0.51	0.61	0.71
L1	0.06	0.13	0.20
α	0°	-	12°

